

[www.yudoeu.com](http://www.yudoeu.com)



**YUDO** EU

BUILDING **TRUST** WORLDWIDE

# YUDO EU

Yudo - the world leader in hot runner systems, custom designed and manufactured to every application and to the customer's requirements.

- ✓ Systems from single valve gates up to 128 cavity systems
- ✓ Twin shot
- ✓ Silicone cold runners
- ✓ Electronic cylinders – Linear controlled
- ✓ Custom designed and manufactured systems

## MC Nozzles

- Integrated heater and TC
- Excellent temperature profile
- Front loaded for easy maintenance



## EP Nozzles

- Embedded heaters
- Designed for technical and difficult to process materials
- Valve and open system designs
- Precise temperature reading



## GPS Nozzles

- Single nozzle applications
- Direct and runner feed application
- Dual heater nozzle



## Yudo T Timer

- Sequence timer for pneumatic or hydraulic systems
- In built colour change feature
- Control of up to 0.01 of a second
- Data save options
- Controls up to 8 gates

## CW991 Slim line Temperature controller

- Slim line touch screen unit
- Up to 240 zones of control
- Computer based controller with embedded PC and LCD screen
- Network capable unit



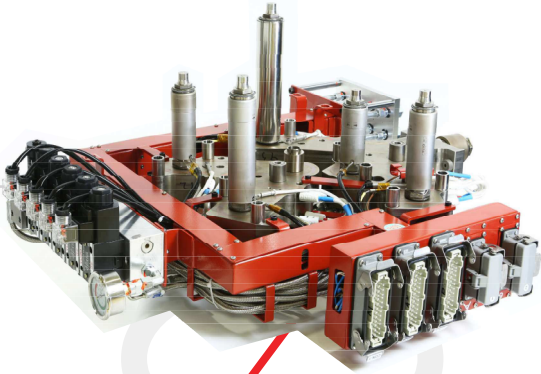
## CW302 Temperature controller

- 2 zones of control per card
- Slot structure for easy maintenance
- Protection control with fast blow fuse
- Precise temperature control via calibration function



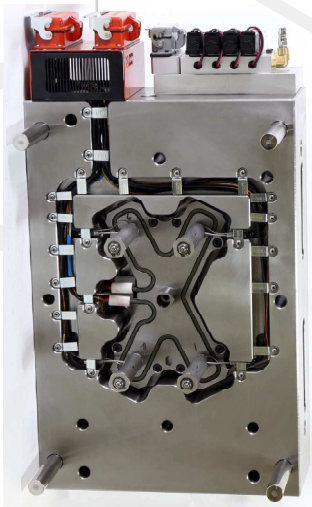
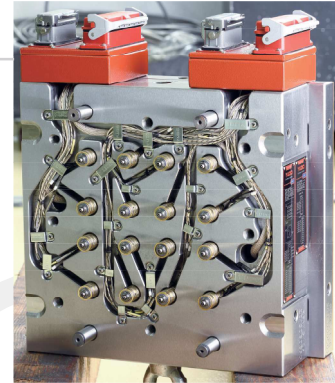
### TINA Am prewired systems

- Ready to assemble into the mould
- Hydraulic/pneumatic or electric cylinders
- Fully prewired and sequential injection available
- Water cooling for cylinders
- Keyed pins for formed cavities



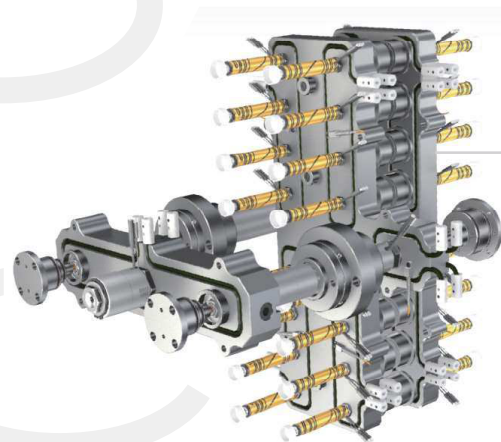
### TINA Modu systems

- Provided by Yudo as a pre-wired hot half
- Fully tested
- Saves time on tool making
- Ready to go system - turn key



### T Hot half

- New approach to a hot half
- Exceptional thermal balance
- Supplied as a complete unit by Yudo
- Fully tested and ready to go
- Screwed in nozzles



### T-Stack system

- New one plate design
- Optimized and balanced flow
- Innovative design available from YUDO
- Screwed in nozzles ensuring no leaks
- Designed for easy maintenance

## Automotive Application

Yudo meets the customer's demands with years of comprehensive testing and design for the ever demanding automotive market.

Yudo produces pre-wired and fully assembled systems to match the customer's requirements. Tested and delivered ready to be dropped into the mould.

All systems are available as pneumatic, hydraulic or electric options. Water cooled cylinders to prolong seal and system life.

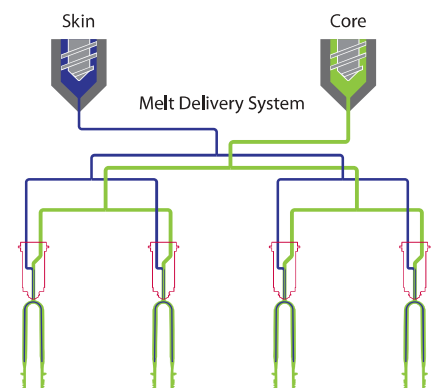


## Multi Layer Application

The multi layer system is the perfect system for specialist packaging applications where a barrier material is required.

Being able to have two different materials injected in the same mould at the same time can provide a unique solution to a very difficult application.

By having up to three layers in the same mould opens a new window for the PP/EVOH and PET markets.

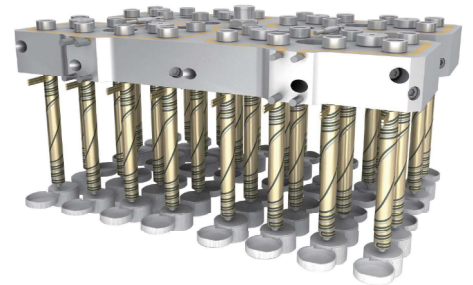


## Packaging Application

The Tina MC range is aimed at the packaging market. A copper sleeved heater with an embedded thermocouple gives more precise and accurate control to the user.

Great colour change options available with honed manifolds giving the end user higher production.

Compact sizes available with front loaded heaters for easy maintenance.



## Technical Application

TINA EP or engineering plastics range for high performance materials and high temperature applications.










Externally mounted thermocouples for the most accurate temperature readings available.

Embedded heater for a precise heat profile when processing difficult materials.



# Tina AM



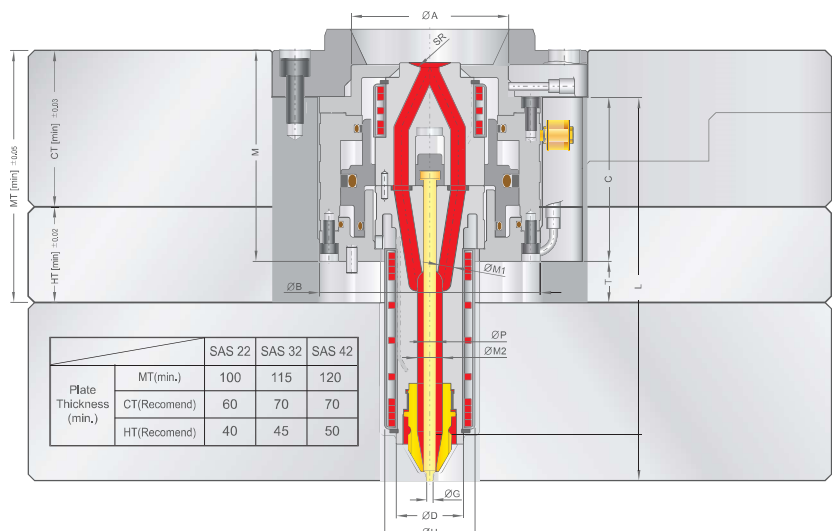
Multiple driving force	Any angle of part line	Accessories Available
 <p>Hydraulic</p>	 <p>• Angle of part line between 0 to 20 degrees</p>	 <p>Nozzle Locator Filter • Filter plastic impurities Ensure product quality</p>
 <p>Pneumatic • Traditional structure Stable performance</p>	 <p>• Angle of part line between 20 to 70 degrees</p>	 <p>Oil/Cooling Quick Coupling • Directly use , convenient and efficient , leak-proof, clean</p>
 <p>Servo • Electric-driven, Energy-saving Precise valve pin control Improve injection quality</p>	 <p>• Angle of part line between 70 to 90 degrees</p>	 <p>Throttle Valve • Control speed of valve pin Improve product quality</p>

Series	Option	Lengths	Gate options	Pin Dia	Nozzle Pocket	Shot per nozzle*
TINA AM 08	Open	60mm - 410mm	0,8mm - 1,5mm	4mm	40mm	UP TO 50 grams
	Valve		1,2mm - 2,0mm			UP TO 100 grams
TINA AM 10	Open	60mm - 540mm	1,0mm - 2,0mm	5mm	45mm	UP TO 200 grams
	Valve		1,5mm - 2,5mm			UP TO 300 grams
TINA AM 12	Open	60mm - 540mm	1,5mm - 3,0mm	5mm	45mm	UP TO 450 grams
	Valve		2,5mm - 3,5mm			UP TO 750 grams
TINA AM 15	Open	65mm - 680mm	2,0mm - 4,0mm	8mm	55mm	UP TO 600 grams
	Valve		2,5mm - 4,5mm			UP TO 1500 grams
TINA AM 22	Open	75mm - 780mm	2,0mm - 4,5mm	8mm	65mm	UP TO 2500 grams
	Valve		4,5mm - 6,0mm			UP TO 3000 grams

For full specifications please contact Yudo

Please note - Material/MFI and filters may effect shot weight  
\* Low Viscosity Material

# Single Valve Nozzle

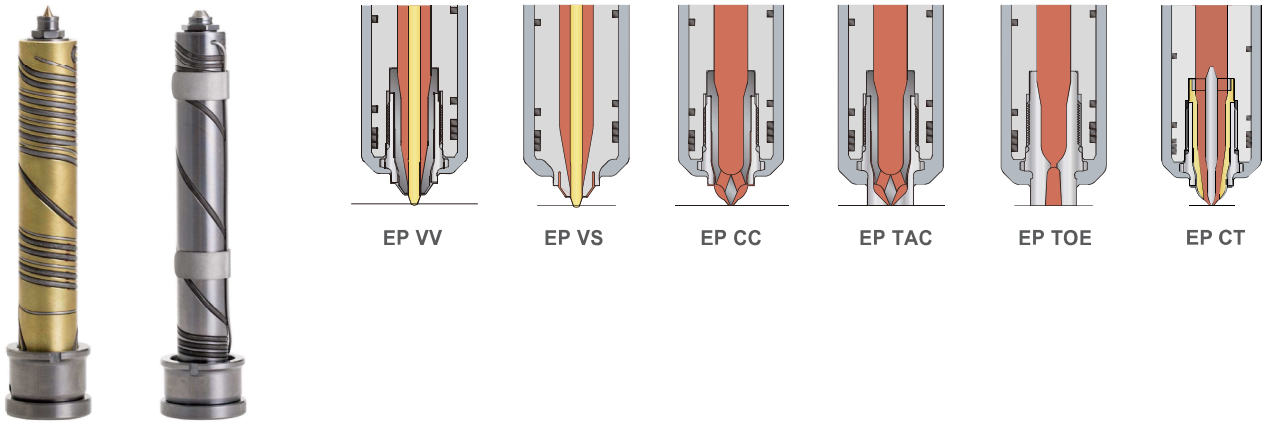


Series	Option	Lengths	Gate options	Pin Dia	Nozzle Pocket	Shot per nozzle
SAS 22	Valve	119-180mm	1.5mm-2.5mm	4.0mm	3.7-90mm	70-240 grams
SAS 32	Valve	151-292mm	2.5mm-4.5mm	6.0mm	47-105mm	350-700 grams
SAS 42	Valve	160-310mm	4.0mm-8.0mm	10mm	58-120mm	350-1000 grams

For full specifications please contact Yudo

Please note - Material/MFI and filters may effect shot weight

## MC-EP Nozzles



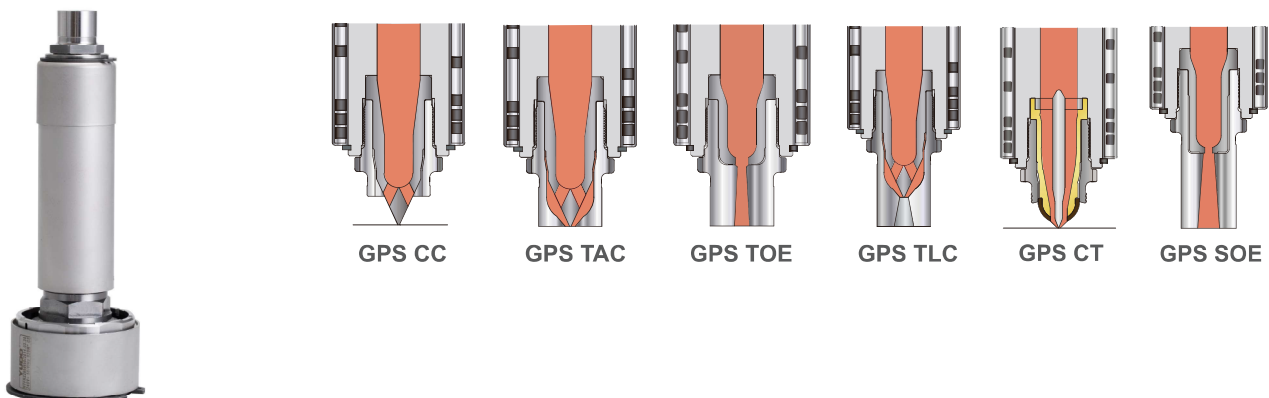
Series	Option	Lengths	Gate options	Pin Dia	Nozzle Pocket	Shot per nozzle*
TINA MC/EP 05	Open	65mm - 155mm	0,8mm - 1,2mm		20mm	UP TO 10 grams
	Valve		1,0mm - 1,2mm	4mm		UP TO 5 grams
TINA MC/EP 06	Open	75mm - 185mm	1,0mm - 1,5mm		23mm	UP TO 30 grams
	Valve		1,0mm - 1,5mm	4mm		UP TO 20 grams
TINA MC/EP 08	Open	85mm - 205mm	0,8mm - 1,5mm		25mm	UP TO 80 grams
	Valve		1,2mm - 2,0mm	5mm		UP TO 50 grams
TINA MC/EP 10	Open	85mm - 225mm	1,0mm - 2,0mm		32mm	UP TO 200 grams
	Valve		1,5mm - 2,5mm	5mm		UP TO 150 grams

For full specifications please contact Yudo

Please note - Material/MFI and filters may effect shot weight

\* Medium Viscosity Material

## GPS Nozzle



Series	Option	Lengths	Gate options	Pin Dia	Nozzle Pocket	Shot per nozzle*
TINA GPS 08	Open	90mm - 300mm	1,0mm - 1,5mm		30 - 60mm	UP TO 40 grams
	Valve					
TINA GPS 10	Open	90mm - 300mm	1,0mm - 2,0mm		40 - 60mm	UP TO 120 grams
	Valve					
TINA GPS 15	Open	90mm - 600mm	1,5mm - 3,0mm		50 - 80mm	UP TO 300 grams
	Valve					
TINA GPS 22	Open	110mm - 900mm	2,0mm - 3,5mm		60 - 80mm	UP TO 1500 grams
	Valve					

For full specifications please contact Yudo

Please note - Material/MFI and filters may effect shot weight

\* Medium Viscosity Material

